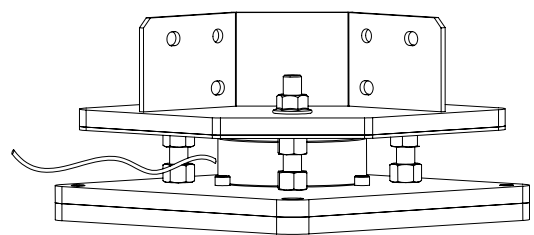
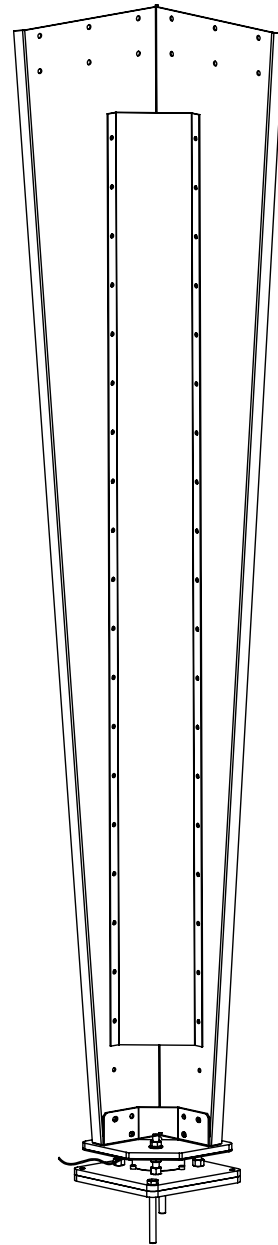
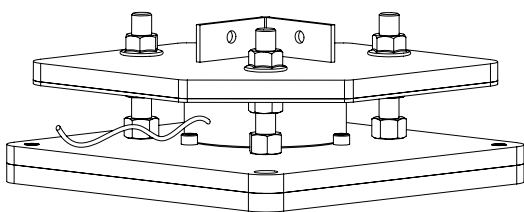
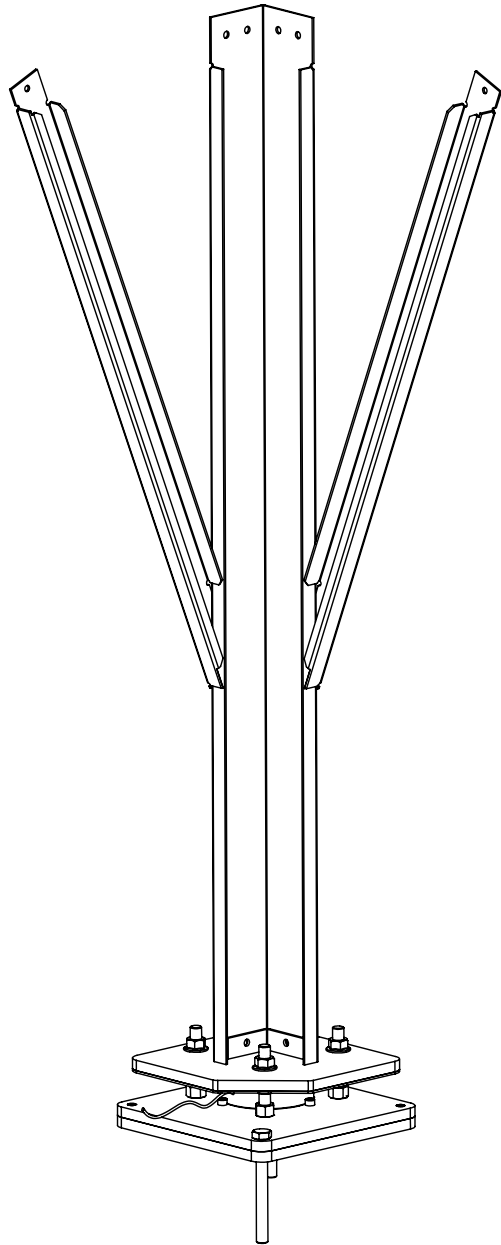
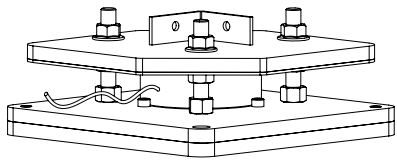


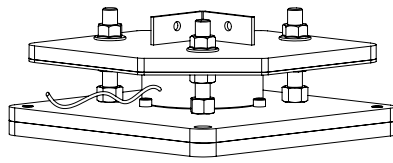
# Vejecelle-Load cell-Wägezelle



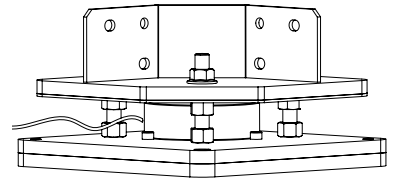




4.90.5056

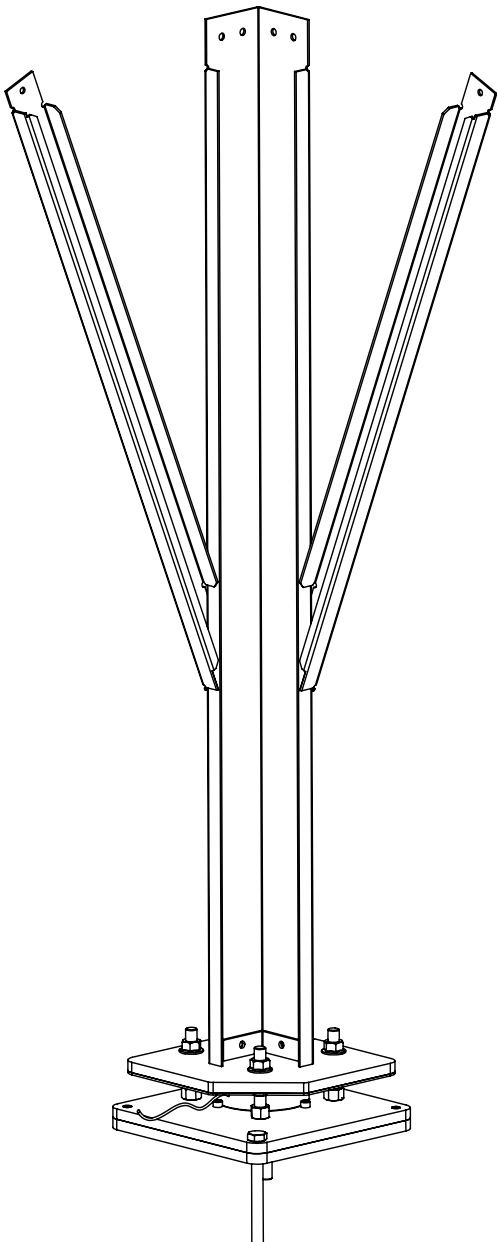


4.90.5056

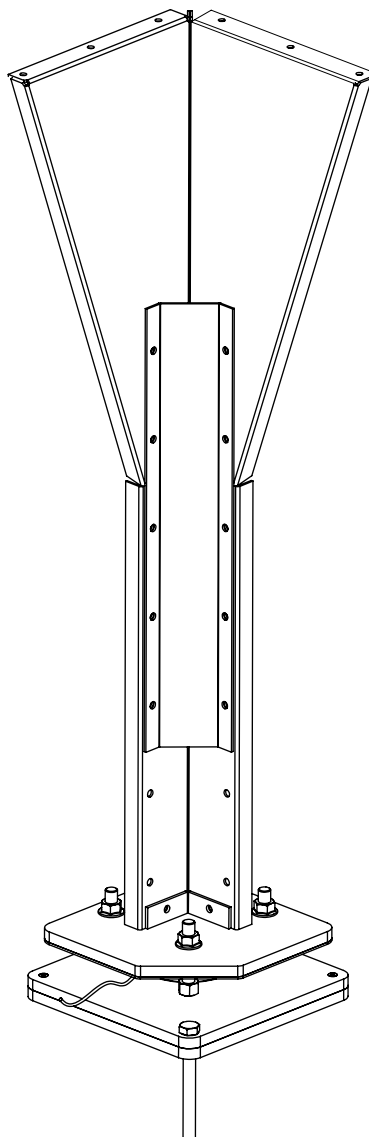


4.90.5043

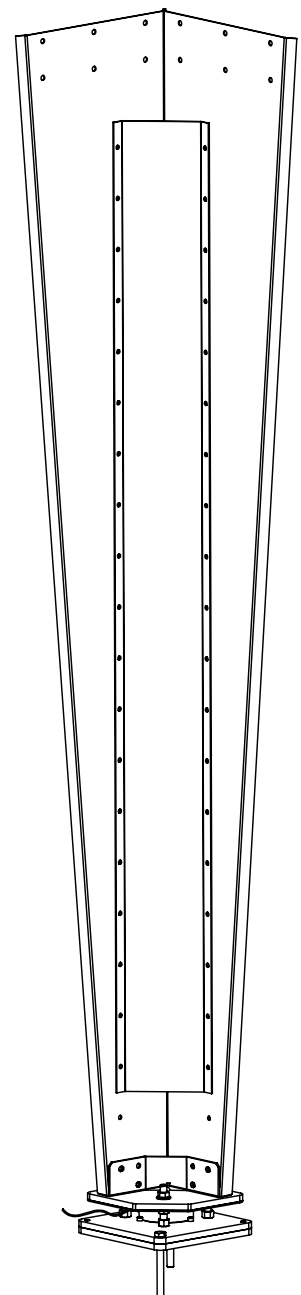
Page -4-

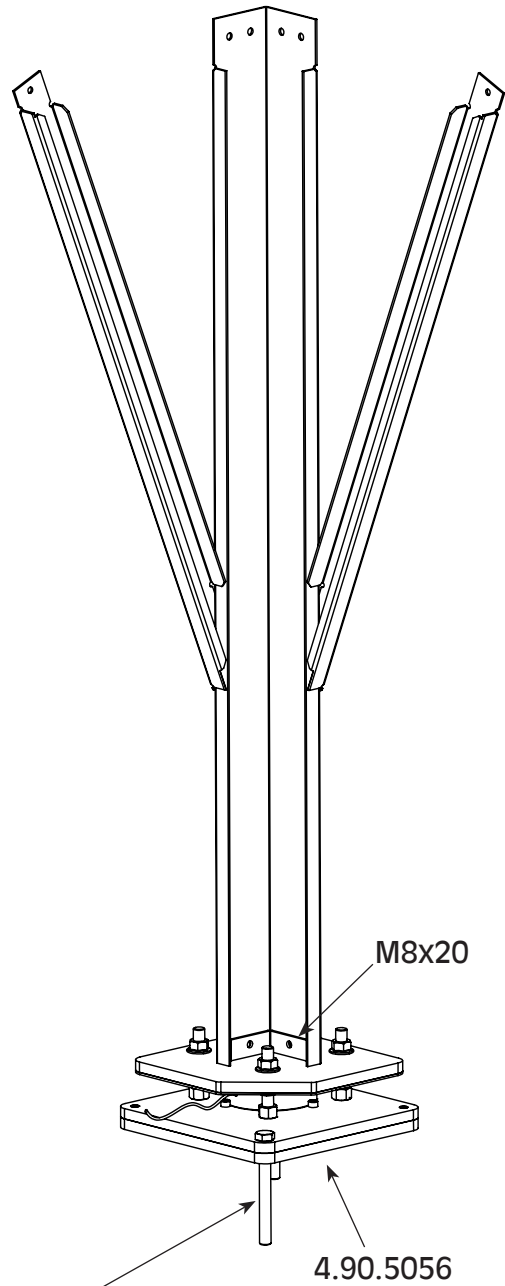
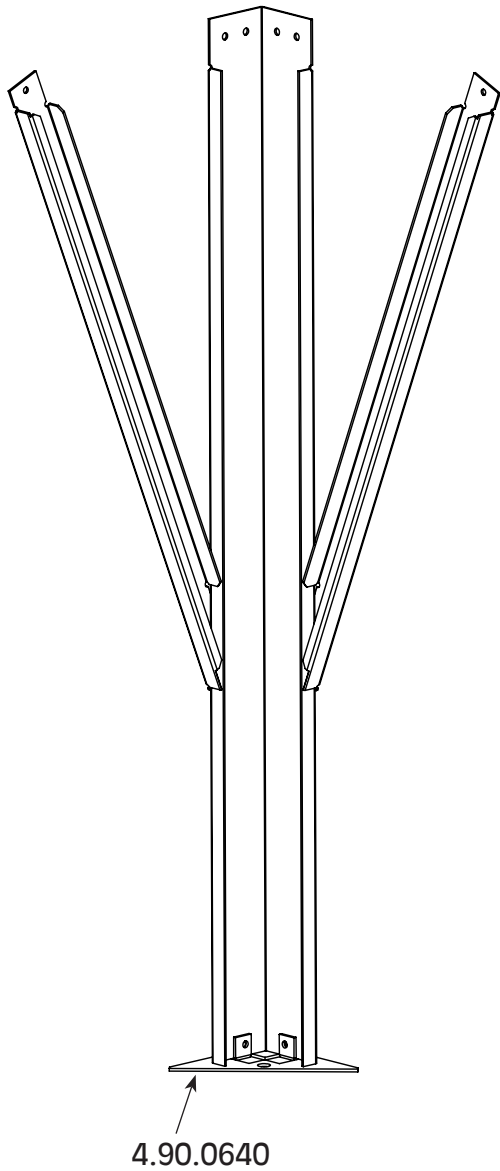
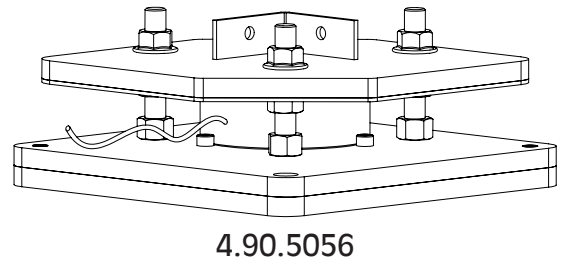
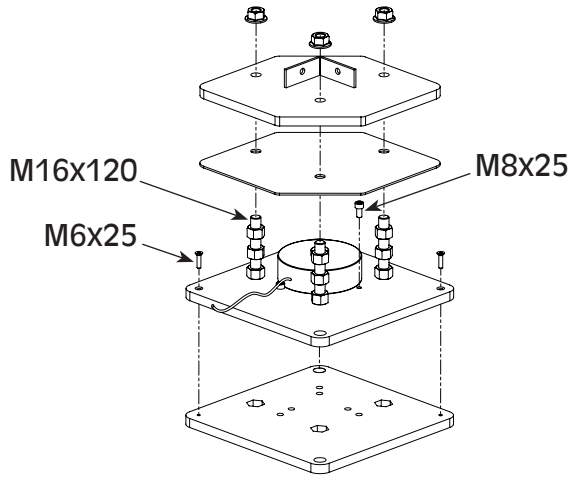


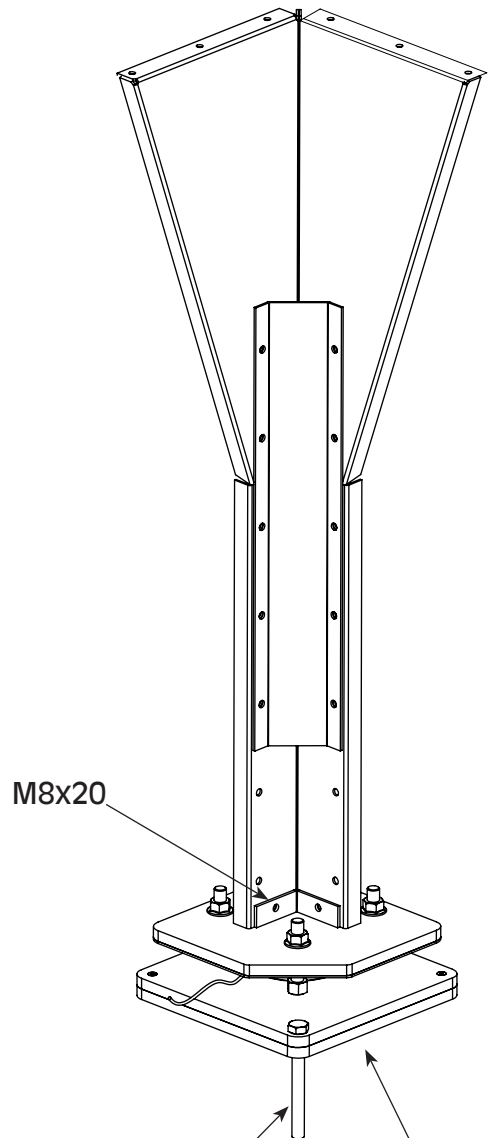
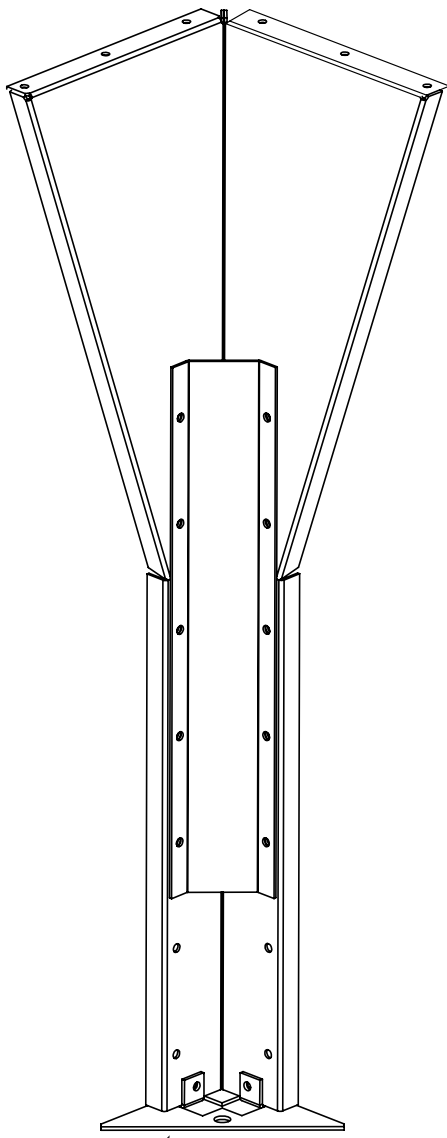
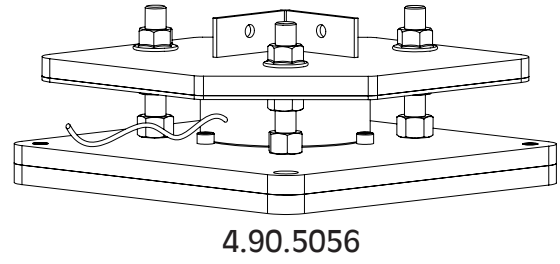
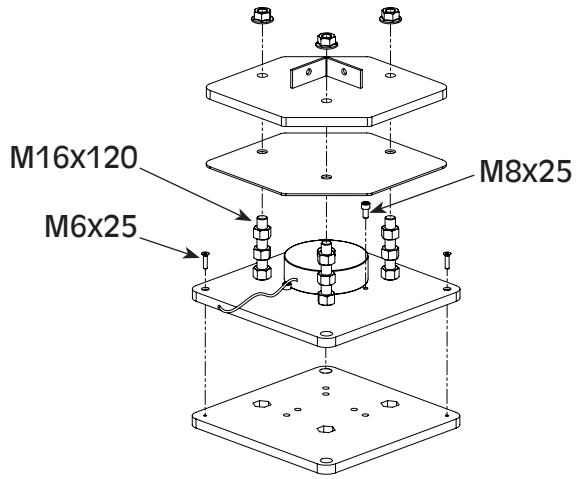
Page -5-

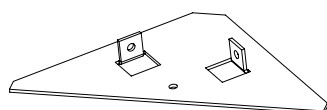
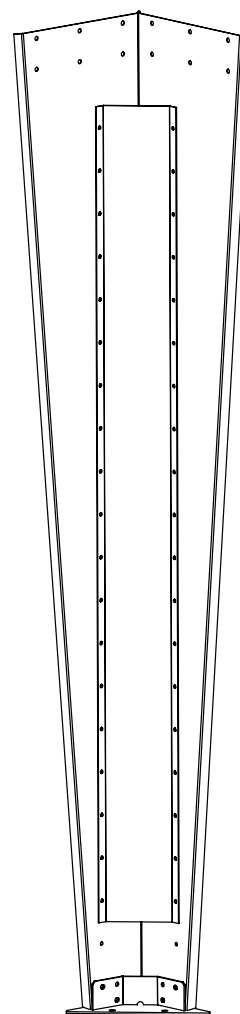
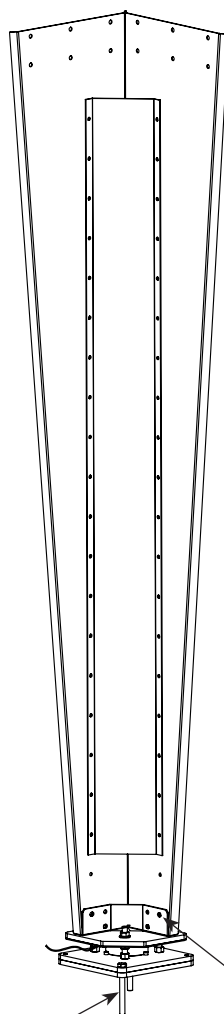
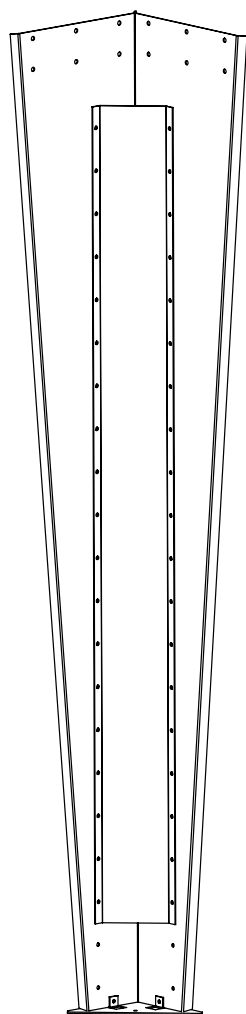
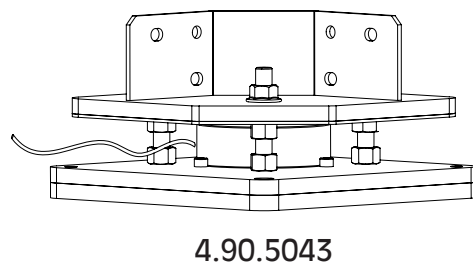
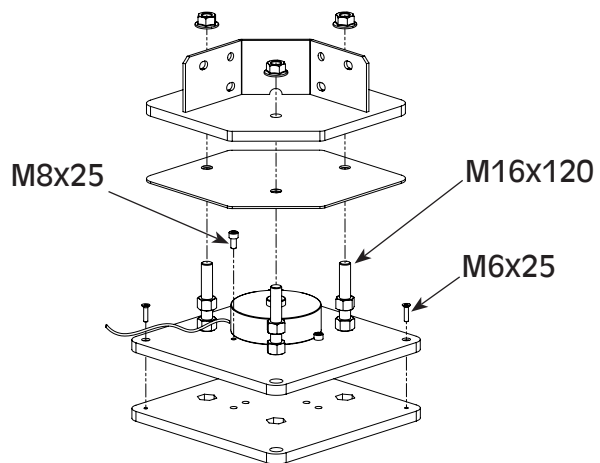


Page -6-

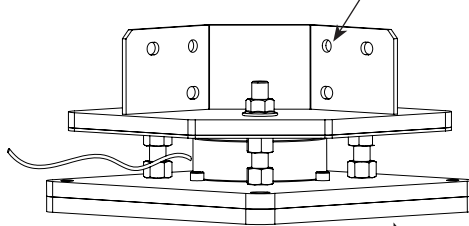




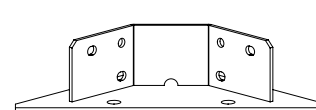




4.90.2000



4.90.5043



4.91.2000

